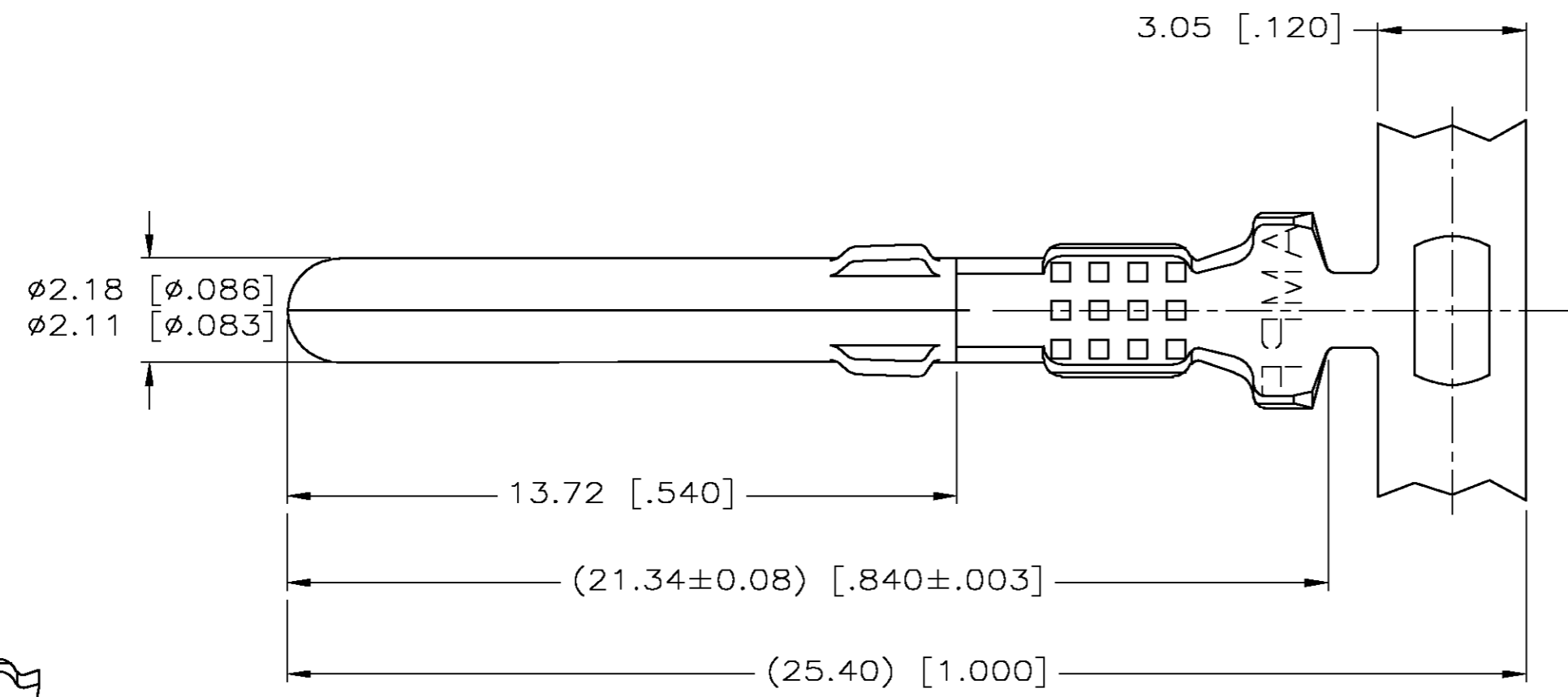
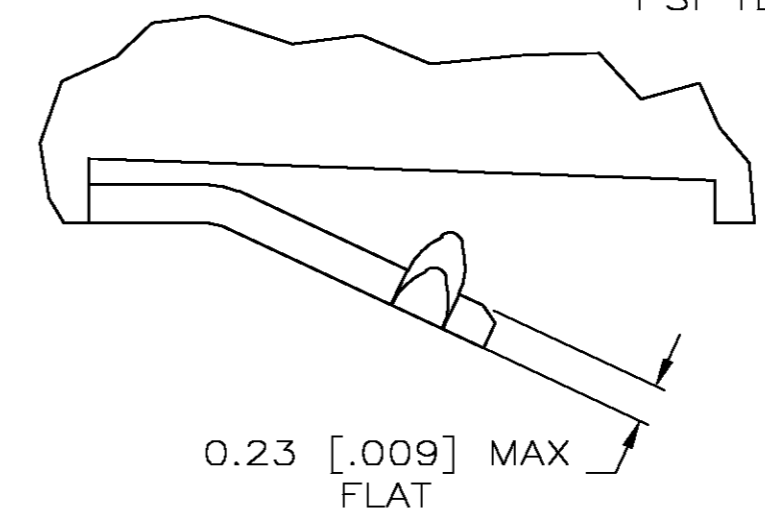


THIS DRAWING IS UNPUBLISHED. RELEASED FOR PUBLICATION  
 © COPYRIGHT BY TYCO ELECTRONICS CORPORATION. ALL RIGHTS RESERVED.

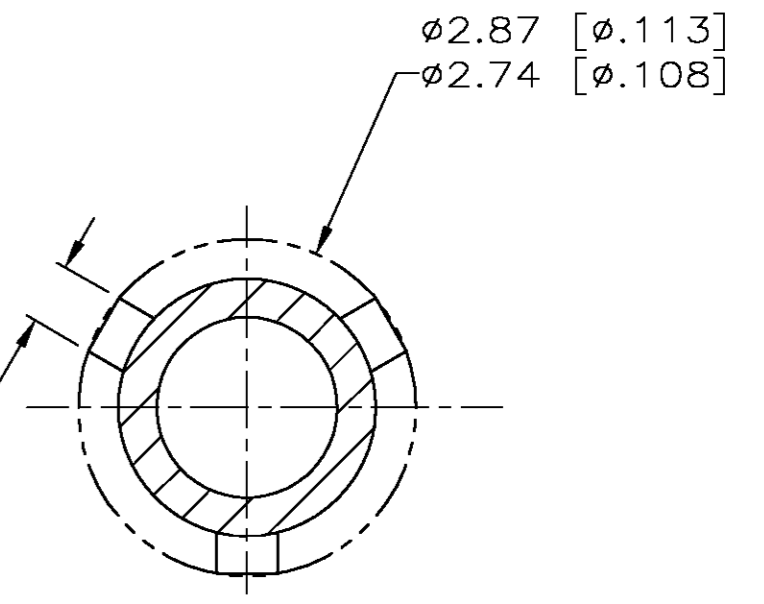
LOC		DIST		REVISIONS			
P	LTR	DESCRIPTION		DATE	DWN	APVD	
	G	REVISED PER 0G3B-1013-03		08-JAN-03	SH	DC	



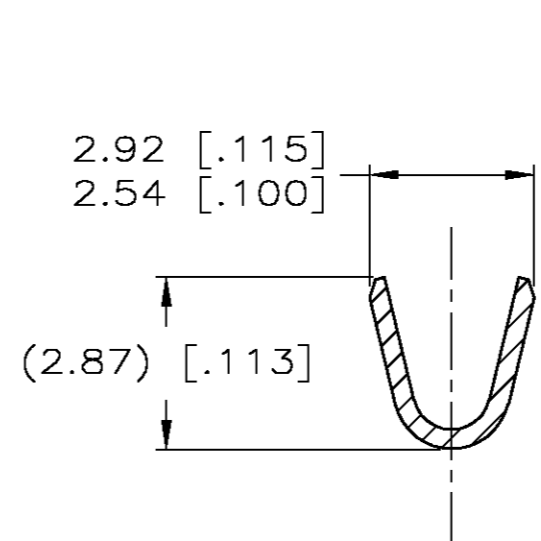
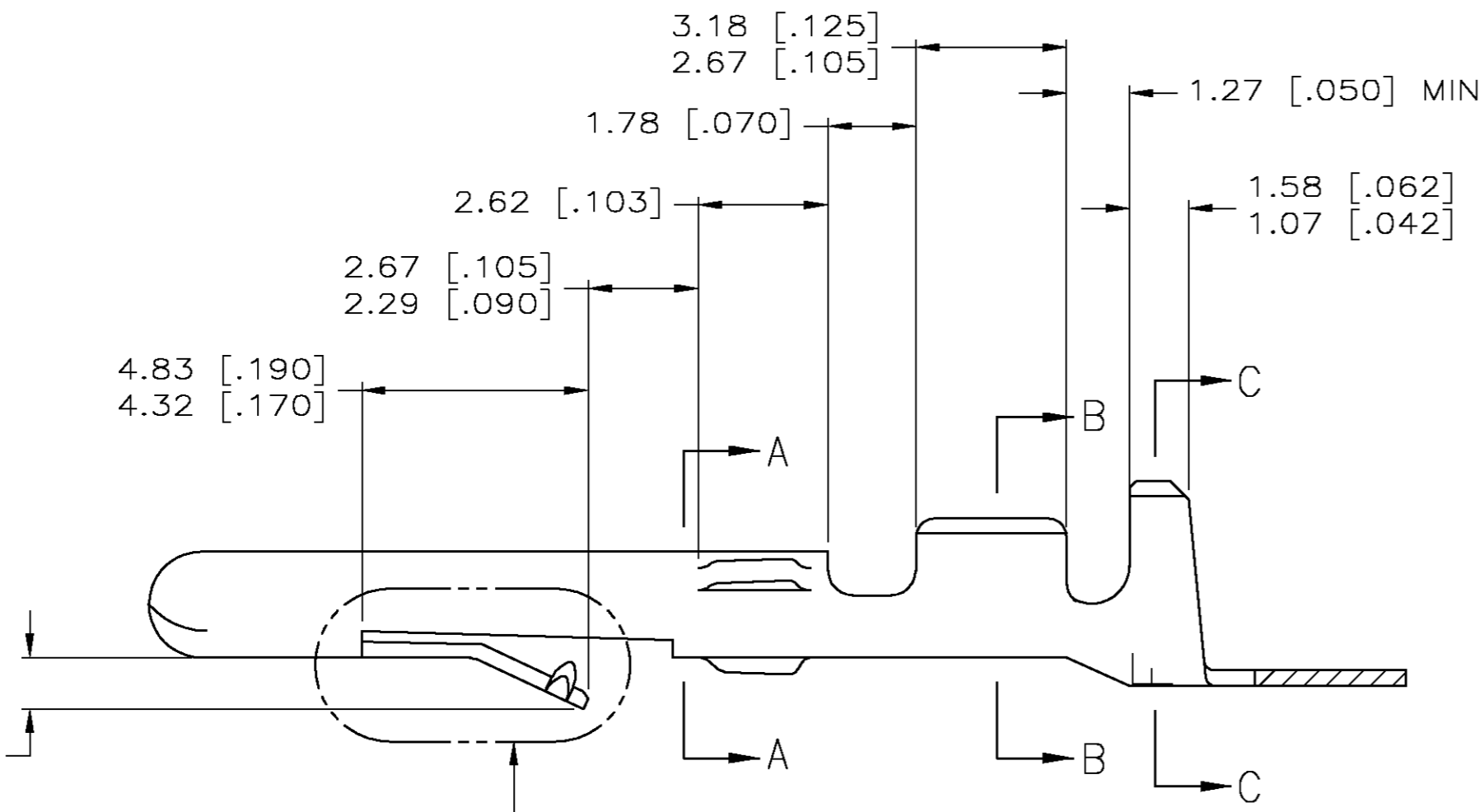
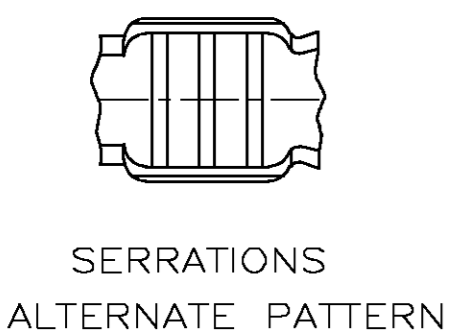
1. REVERSE REEL OF 61271-1 FOR MINI-APPLICATOR.
2. TERMINATE PER AMP SPECIFICATION 115-8000.
3. WIRE RANGE: 22-18 GA. (0.3-0.9mm<sup>2</sup>)
4. INSULATION DIAMETER 2.67 [.105] MAX.
- 5 MATERIAL: 0.31 [.012] BRASS 80-95000 PSI TENSILE STRENGTH.



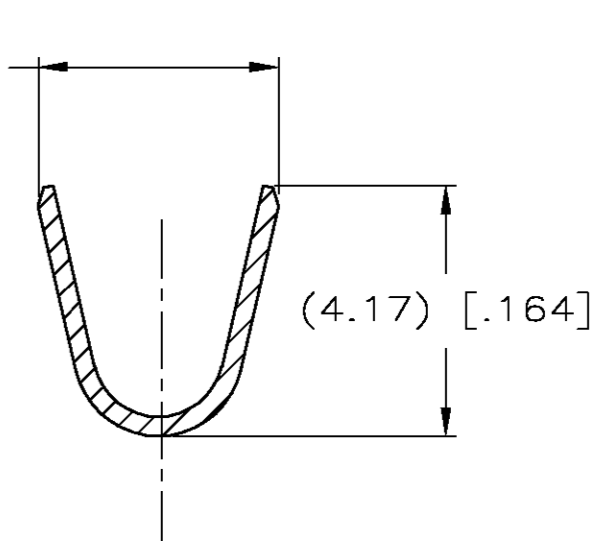
DETAIL A  
SCALE 20:1



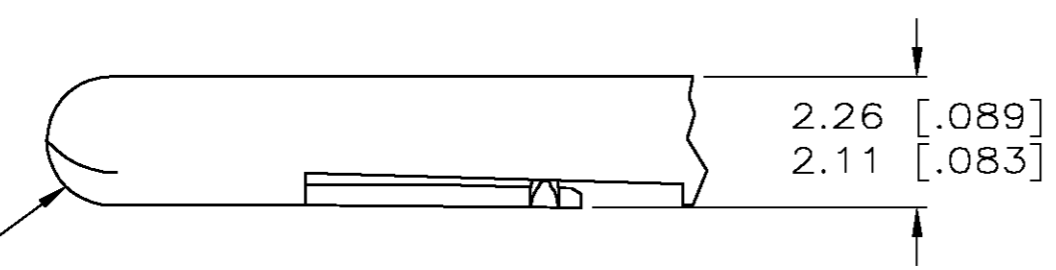
SECTION A-A  
SCALE 16:1



SECTION B-B



SECTION C-C



NOSE IS CLOSED WITH 0.51 [.020] MAX FLAT.  
 0.25 [.010] MAX HORIZONTAL TAB PERMITTED.  
 0.25 [.010] DIA PIN DOES NOT ENTER.

**METRIC**

61296-1  
PART NO.

THIS DRAWING IS A CONTROLLED DOCUMENT.		DWN S. HOOVER 08-JAN-2004	<b>tyco</b> Electronics	Tyco Electronics Corporation Harrisburg, PA 17105-3608	
DIMENSIONS: MM (INCHES)		CHK D. COLEY 08-JAN-2004		NAME	
TOLERANCES UNLESS OTHERWISE SPECIFIED:		APVD D. COLEY 08-JAN-2004	PRODUCT SPEC		
0 PLC ±		APPLICATION SPEC			
1 PLC ±		WEIGHT			
2 PLC ±		SIZE CAGE CODE DRAWING NO			
3 PLC ± 0.13 [.005]		A2 00779 C=61296			
4 PLC ±		RESTRICTED TO			
ANGLES ±		CUSTOMER DRAWING			
FINISH		SCALE 8:1 SHEET 1 OF 1 REV G			
PRE-TIN					